



Poseidon Deepwater Solutions

KRAKEN

3/4" BALL VALVE REPLACEMENT

Technical Data

20,000 psi rated
Cv 5.9

Temperature Range

32F to 180F

Qualification

Qualified to API 16D on
NAS 11 water

Operating Mediums

Water-based fluids
Oil-based fluids

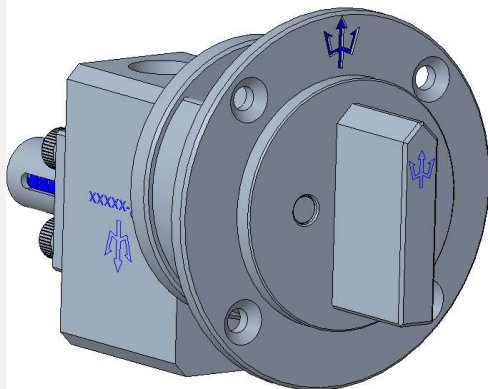
Material Construction

Body 316 SS
Sealing Seat- 17-4
Main Shaft - N50
Main Seal – Delrin
Seals – Buna,
Polyurethane
Operator – 316 SS and
Delrin

Connections

3/4" MP

Contact PDS for other sizes

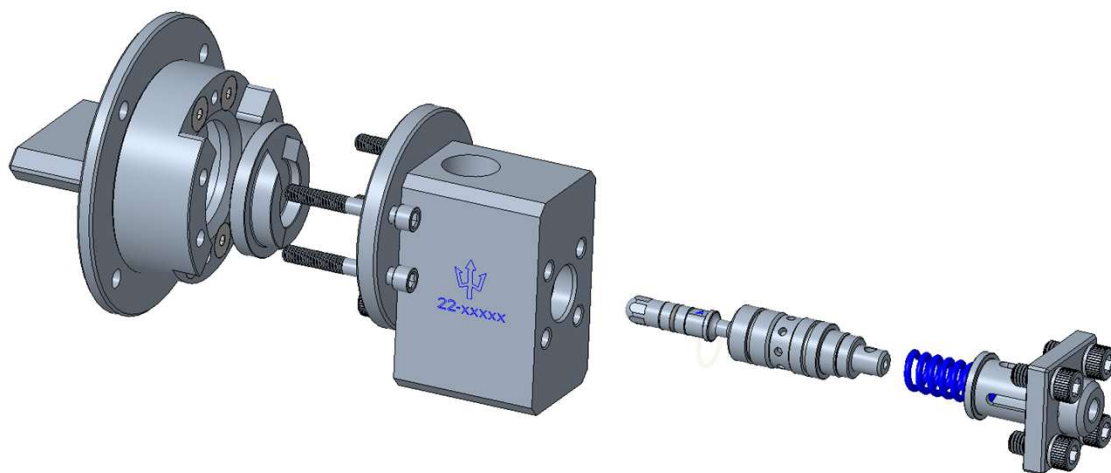
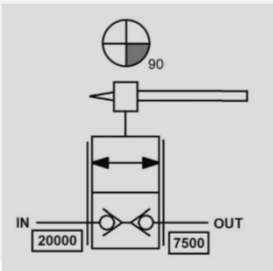


The 20,000 psi KRAKEN valve (patent pending) bridges the gap between needle valves and ball valves for applications where a metal-to-metal seal is preferred to prevent washout with the ease of operation and flow capacity of a 1/4 turn ball valve.

The patented technology of the KRAKEN valve provides reliable high flow valve with a soft seal that does not wash out during opening & closing with high differential pressure.

Panel Repairable – The KRAKEN is panel repairable without removing from panel and without breaking fluid connections.

Simple 5 minute repair with a wrench from the back of the panel provides the ability to fully repair the valve and bring it back to FAT conditions.



Warranty
12/18 Against Materials,
Craftsmanship, and Defects
*Full 3-year field warranty
for repairability*



Poseidon Deepwater Solutions

Technical Data

20,000 psi rated
Cv 5.9

Temperature Range
32F to 180F

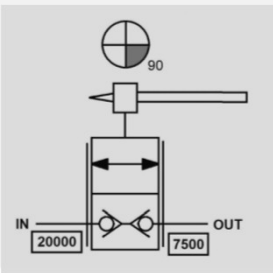
Qualification
Qualified to API 16D on
NAS 11 water

Operating Mediums
Water-based fluids
Oil-based fluids

Material Construction
Body 316 SS
Sealing Seat- 17-4
Main Shaft - N50
Main Seal – Delrin
Seals – Buna,
Polyurethane
Operator – 316 SS and
Delrin

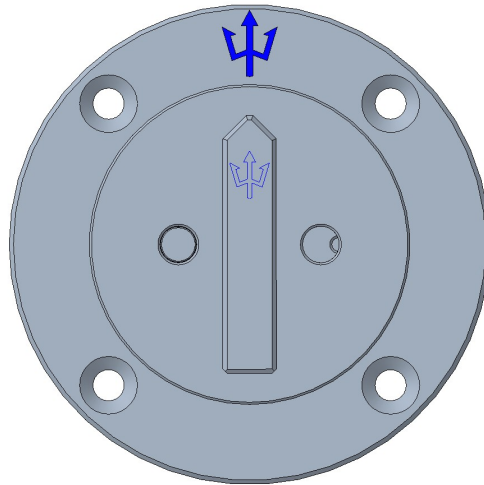
Connections
3/4" MP

Contact PDS for other sizes



KRAKEN

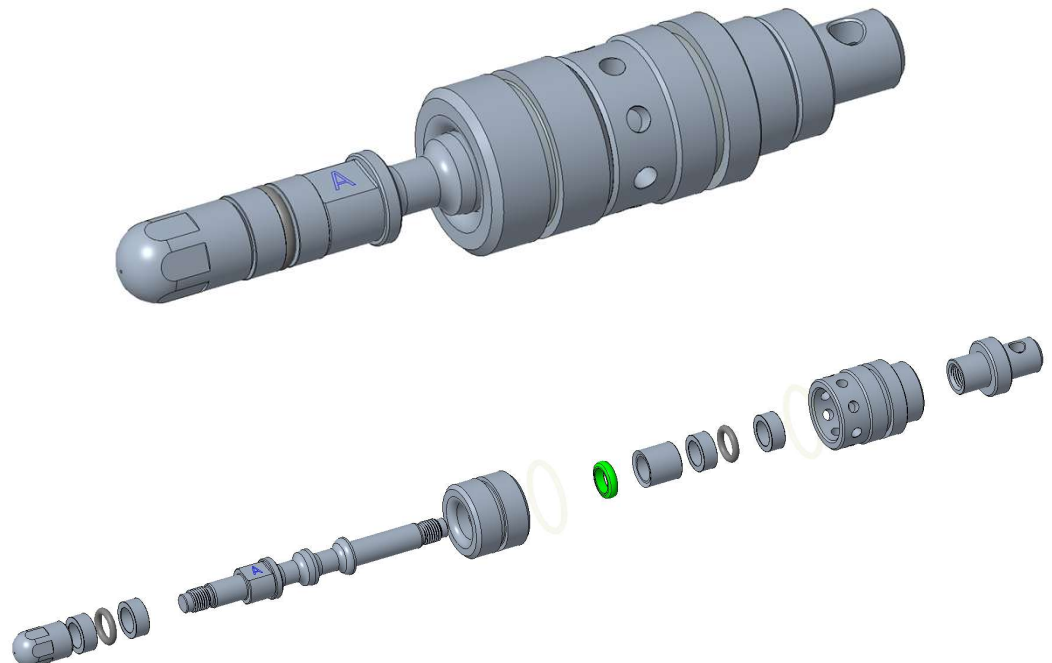
3/4" BALL VALVE REPLACEMENT



The KRAKEN is an ROV-operated valve using Poseidon's ROV Operator. The paddle operates the valve through a cam and cannot over-tighten or damage the KRAKEN sealing mechanism.

The Poseidon ROV Operator is configurable for clockwise, counterclockwise operation and either open or close in any position (0, 90, 180). The valve can be independently oriented on the panel rear to facilitate tubing connections.

The KRAKEN valve utilizes a cartridge style sealing system. All working components of the valve, including matched rod and cage for cv, are replaced at one time. By having extra cartridges on standby the system downtime can be minimized and allow offline repair and validation.



Warranty
12/18 Against Materials,
Craftsmanship, and Defects.
Full 3-year field warranty
for reparability



Poseidon Deepwater Solutions

KRAKEN TYPICAL VALVE DIMENSIONS

