



# Poseidon Deepwater Solutions

## ORION

### 3/8" PANEL MOUNT VALVE

#### Technical Data

20,000 psi rated  
Cv 1.40

#### Temperature Range

32F to 180F

#### Qualification

Qualified to API 16D on  
NAS 11 water

#### Operating Mediums

Water-based fluids  
Oil-based fluids

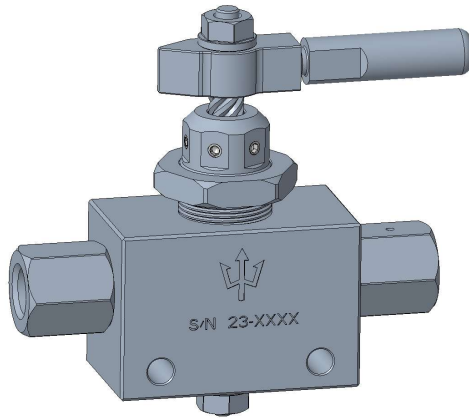
#### Material Construction

Body 316 SS  
Sealing Seat- N50  
Main Shaft - N50  
Main Seal – Delrin  
Seals – Buna  
Handle – 316 SS

#### Connections

3/8" MP

Contact PDS for other sizes

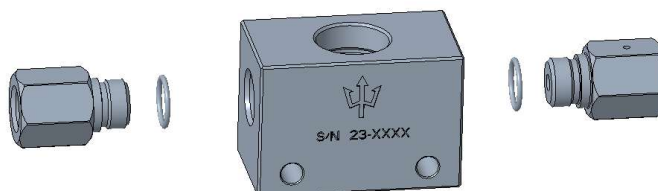
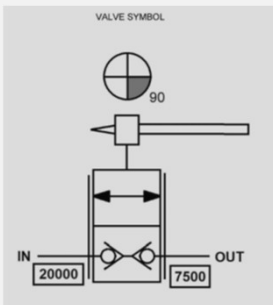
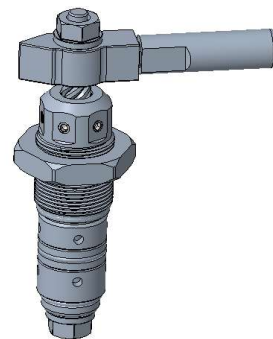


The 20,000 psi rated panel mount ORION valve (patent pending) opens with mechanical force and seals with system pressure. Unlike traditional needle valves the user has no ability to over-tighten and damage the sealing mechanism.

Stem seal does not experience washout during opening and closing with differential pressure. This provides long life at high working pressures.

**Panel Repairable – The ORION is panel repairable without removing from panel and without breaking fluid connections.**

*Simple 5 minute repair with a wrench from the front of the panel provides the ability to return ORION to FAT condition. See ORION panel repair video on PDS website.*



**Warranty**  
12/18 Against Materials,  
Craftsmanship, and Defects.  
Full 3-year field warranty  
for repairability



# Poseidon Deepwater Solutions

## ORION

### 3/8" PANEL MOUNT VALVE

#### Technical Data

20,000 psi rated  
Cv 1.40

#### Temperature Range

32F to 180F

#### Qualification

Qualified to API 16D on  
NAS 11 water

#### Operating Mediums

Water-based fluids  
Oil-based fluids

#### Material Construction

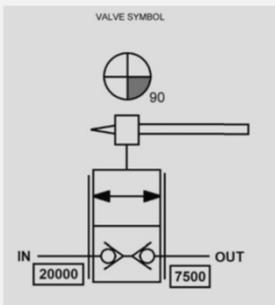
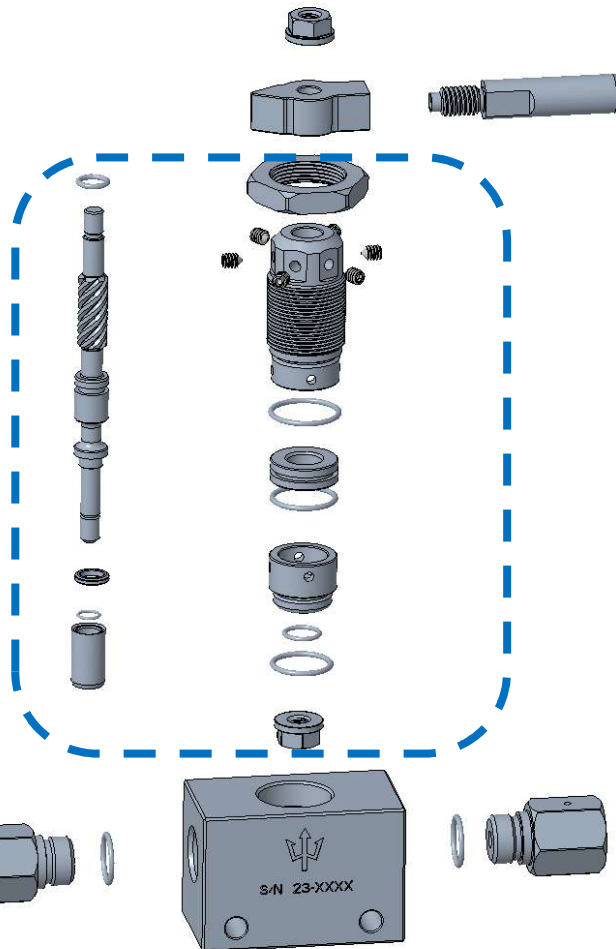
Body 316 SS  
Sealing Seat- N50  
Main Shaft - N50  
Main Seal – Delrin  
Seals – Buna  
Handle – 316 SS

#### Connections

3/8" MP

Contact PDS for other sizes

Clocking feature allowing ergonomic ¼ turn handle to be positioned in any direction to match existing panel markings. Clockwise or Counter-Clockwise operation available.



**Warranty**  
12/18 Against Materials,  
Craftsmanship, and Defects.  
*Full 3-year field warranty  
for reparability*

**Fully repairable valve without breaking connections behind the panel. Entire cartridge can be replaced with a spare cartridge to minimize downtime.**

**Repair offline and validate.**



# Poseidon Deepwater Solutions

## ORION

### TYPICAL VALVE DIMENSIONS

