



Poseidon Deepwater Solutions

MINOTAUR

1/4" SELECTOR VALVE

Technical Data

10,000 psi rated
Cv .88

Temperature Range

-40F to 180F

Qualification

Qualified to API 16D
on NAS 11water

Operating Mediums

Water-based fluids
Oil-based fluids

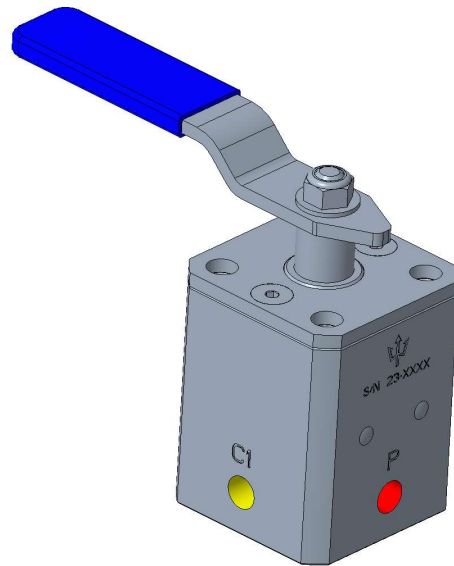
Material Construction

Body 316L
Cartridges N50
Buna N Seals
PTFE Seals
Main seal Delrin

Connections

1/4" NPT (All Ports)

Contact PDS for other sizes



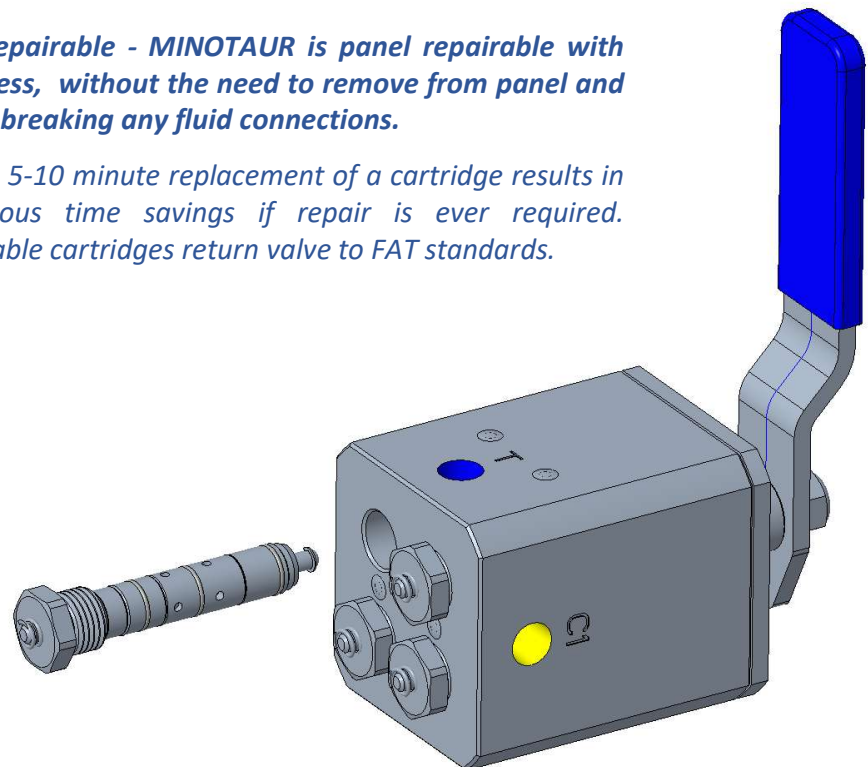
The 10K MINOTAUR 1/4" selector valve (patent pending) is designed as a direct drop in line replacement for the most common 4-way selector valve currently used.

Unlike selector valves using shear seal technology, the MINOTAUR uses a sealing system consisting of 4 field replaceable cartridges. Each one contains both halves of metal-to-metal seal and soft seals.

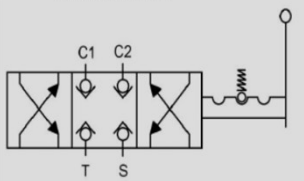
The MINOTAUR is highly reliable, debris tolerant, and fully qualified to API 16D on NAS 11+ water with no lubrication.

Panel Repairable - MINOTAUR is panel repairable with rear access, without the need to remove from panel and without breaking any fluid connections.

A simple 5-10 minute replacement of a cartridge results in tremendous time savings if repair is ever required. Replaceable cartridges return valve to FAT standards.



VALVE SYMBOL



Warranty
12/18 Against Materials,
Craftsmanship, and Defects.
Full 3-year field warranty
for repairability



Poseidon Deepwater Solutions

MINOTAUR

1/4" SELECTOR VALVE

Technical Data

10,000 psi rated
Cv .88

Temperature Range

-40F to 180F

Qualification

Qualified to API 16D
on NAS 11water

Operating Mediums

Water-based fluids
Oil-based fluids

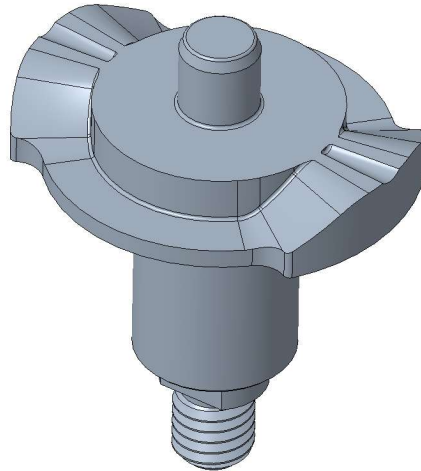
Material Construction

Body 316L
Cartridges N50
Buna N Seals
PTFE Seals
Main seal Delrin

Connections

1/4" NPT (All Ports)

Contact PDS for other sizes

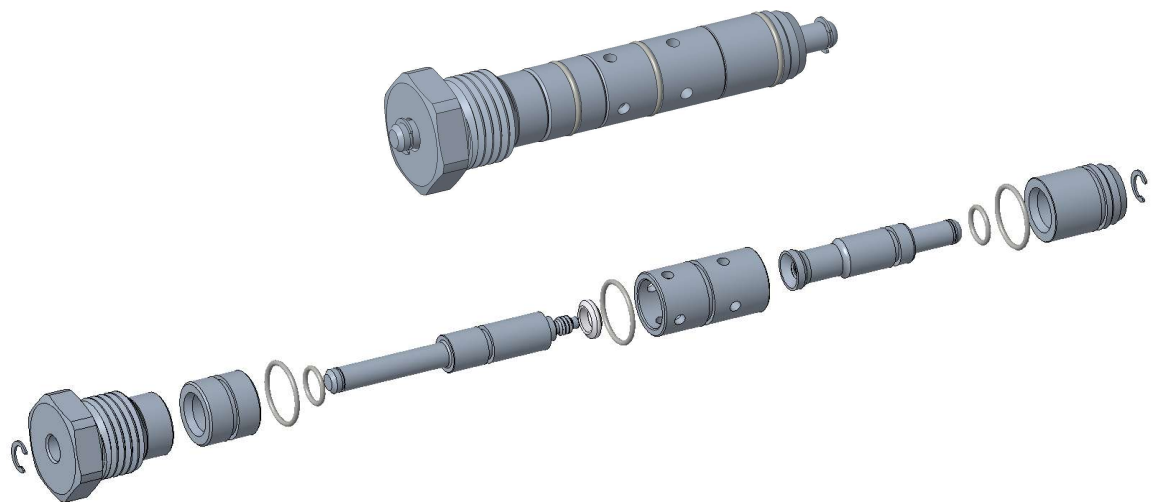
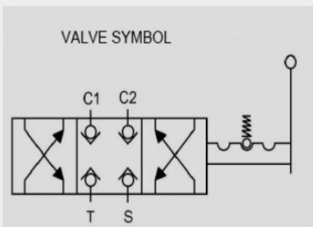


The 10K MINOTAUR 1/4" selector valve (patent pending) uses a cam plate to operate the cartridges. The cam can be configured to be a CENTER BLOCK condition or a CENTER FLOAT condition.

The 10k MINOTAUR uses qty 4 of the same cartridge in all cavities, allowing rapid troubleshooting and repair with minimal spares.

The cartridge uses the field-proven seal system from the Triton ACV gas valve. This seal system is utilized in many other TRITON hydraulic products operating up to 20,000 psi.

The cartridge can be replaced with a complete spare cartridge to minimize downtime. The cartridges can be rebuilt and verified offline to ensure the on-site repair is straightforward and high success rate.



Warranty
12/18 Against Materials,
Craftsmanship, and Defects.
Full 3-year field warranty
for repairability



Poseidon Deepwater Solutions

MINOTAUR

1/4" SELECTOR VALVE DIMENSIONS

