



Poseidon Deepwater Solutions

TRITON 10 SERIES SLIMLINE GAS VALVES

Technical Data

Max Pressure
10,000 psi

Max Depth
12,000 ft (3657 meters)

Temp Range
-20F – 220F

Flow Rate
3.10 X Mil spec

Installed Height
1.56" (39.6 mm)

Bottle Interface
Unf 1/2-20 soft face seal

Material Construction
Body N50
Insert 316
Stem Seal UHMW

Helium Tested

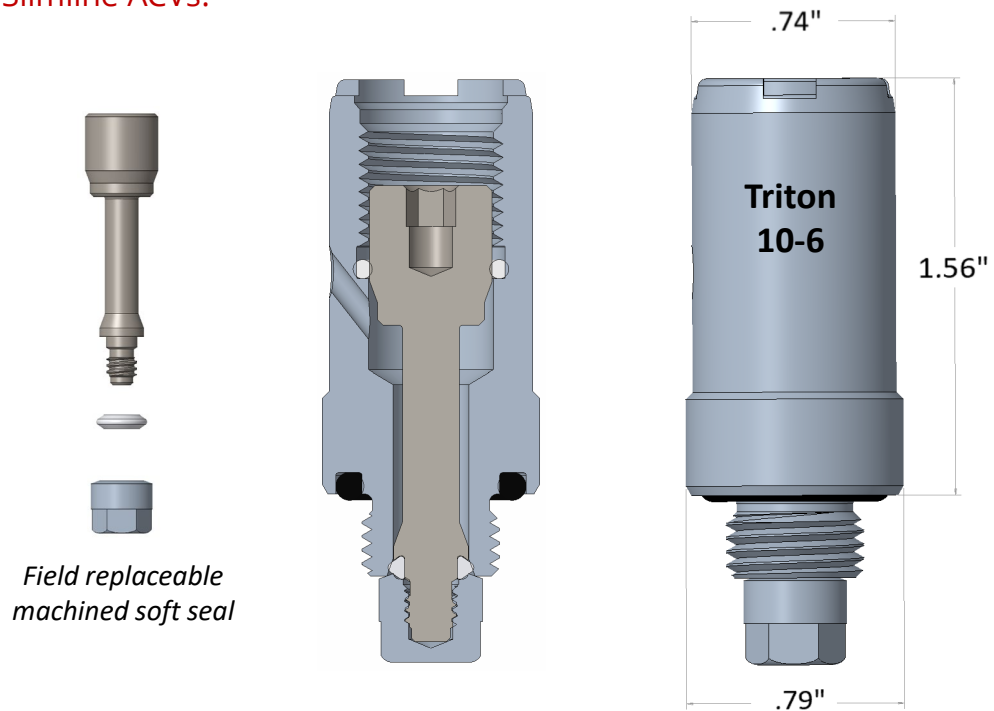
Torque & Charging
Tools Required

Compatible with Safety
Caps already being
used with Mil spec
valves.

The Triton 10 Series ACV (Accumulator Charging Valve) is rated for bottle pressures to 10,000 psi and is suitable for both topside and subsea applications. The Triton 10 Series is constructed of true subsea materials. The valve utilizes a bias piston subsea close assist to prevent hydrostatic head from opening the stem seal in an under-balanced condition.

Triton 10 Series is self-seating and self-sealing and cannot be closed mechanically. This prevents an offshore technician from over-tightening and damaging the sealing mechanism.

Triton 10 Series Slimline ACV utilizes same tooling as the Triton 6 Series Slimline ACVs.



Field replaceable
machined soft seal

Warranty
12/18 for Materials,
Craftsmanship, and Defects.
Full 3-year field warranty
for repairability

Fully Serviceable and Rebuildable in the field
HSE Audible Warning to prevent removal of a valve
containing pressure.

Full 3-Year field warranty

www.poseidondeepwatersolutions.com

Sales@poseidonds.com



Poseidon Deepwater Solutions

TRITON 6 SERIES SLIMLINE GAS VALVES

Technical Data

Topside Applications

Max Pressure
6,000 psi

Temp Range
-20F – 220F

Flow Rate
3.10 X Mil spec

Installed Height
1.56" (39.6 mm)

Bottle Interface
Unf 1/2-20 soft face seal

Material Construction
Body 304
Insert 316
Stem Seal UHMW

Helium Tested

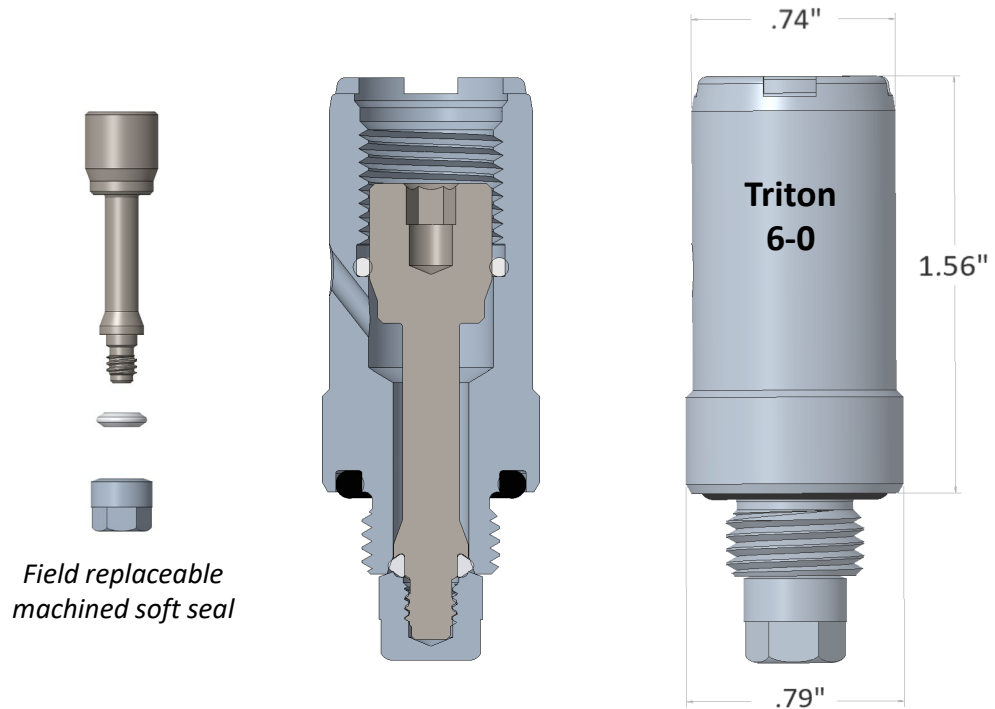
Torque & Charging
Tools Required

Compatible with Safety
Caps already being
used with Mil spec
valves.

The Triton 6 Series Slimline ACV (Accumulator Charging Valve) is rated for bottle pressures to 6,000 psi and is designed for topside applications. Triton 6 Series Slimline body is constructed of 304 stainless.

Triton 6 Series Slimline ACV is self-seating and self-sealing and cannot be closed mechanically. This prevents an offshore technician from over-tightening and damaging the sealing mechanism.

Triton 6 Series Slimline ACV utilizes same tooling as Triton 10 Series Slimline ACVs.



Field replaceable
machined soft seal

Warranty
12/18 for Materials,
Craftsmanship, and Defects.
Full 3-year field warranty
for repairability

Fully Serviceable and Rebuildable in the field
HSE Audible Warning to prevent removal of a valve
containing pressure.

Full 3-Year field warranty

www.poseidondeepwatersolutions.com

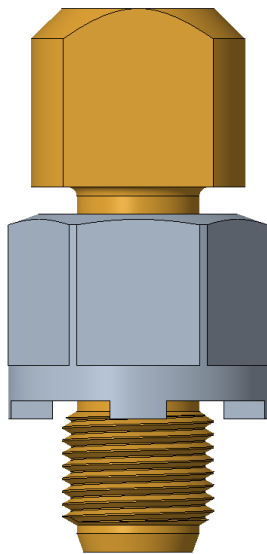
Sales@poseidonds.com



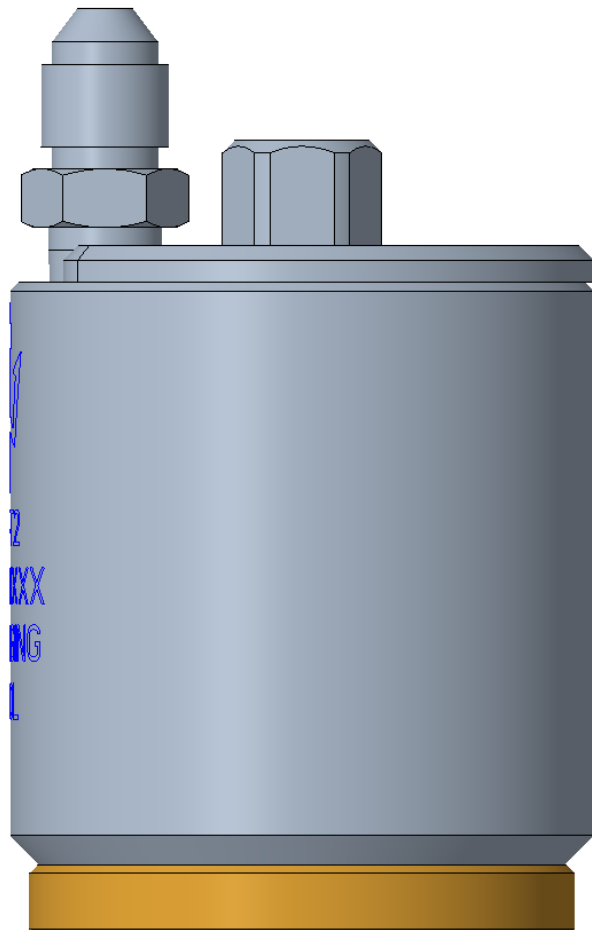
TRITON SLIMLINE TOOLING

The Triton 10 Series Slimline ACV and Triton 6 Series Slimline ACV utilize the same Installation (torque tool) and Charging Tools thus allowing the rig to standardize on a single set of tooling.

A single repair kit can be used with either the Triton 10 Series Slimline or Triton 6 Series Slimline ACV.



Triton Slimline
Torque Tool



Triton Slimline
Charging Tool

Triton 10 & 6 Series Slimline ACVs utilize same tooling for installation and charging.