



Technical Data

Cv 0.88

Qualification

API 16D on NAS 11 water

Temperature Range

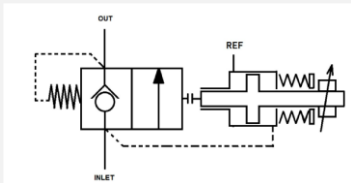
32F to 180F

Operating Mediums

Water-based fluids
Oil-based fluids

Material Construction

Body 316 SS
Spring 316 SS
Insert N50
Shaft N50
Trigger Rod N50
Spring Bucket 316 SS
Adjuster Screw AL BRZ
Jam Nut 316 SS
Seals PTFE
Main Seal – Delrin



Poseidon Deepwater Solutions

RELIEF VALVES

TRITON RELIEF VALVES are self re-seating and leak tight with a tight deadband. Our technology is generally pressure balanced and operates on a different principle than typical relief valves. As a direct result of pressure balancing the relief function is highly accurate, nearly digital, and repeatable for hundreds of relief cycles. Our standard spring pack handles all relief set ranges. Spring pack can be changed to achieve a desired deadband reset or a dedicated set pressure adjustment range.*

Triton relief valves are highly tolerant of debris. Triton relief valves are field repairable and utilize replaceable cartridges containing all new metal-to-metal seals and soft seals.



Surface Relief



Repair Cartridge



Subsea Compensated

Unique Hydro Lockout Feature

TRITON RELIEF VALVES feature a hydro lockout port. By applying pressure to reference port, the relief function is blocked. This allows for hydro tests at 1.5X set pressure to be conducted without removing the relief valve from the circuit or over-compressing a large spring. See video demonstration on our website.

* Page 2 Additional Information

Warranty
12/18 for Materials,
Craftsmanship, and Defects.
Full 3-year field warranty
for repairability

www.poseidondeepwatersolutions.com

Sales@poseidonds.com

1422 Vanderwilt Ln Ste A - Katy, TX - 77449

Office 281-725-0030

R001



Technical Data

Cv 0.88

Qualification

API 16D on NAS 11 water

Temperature Range

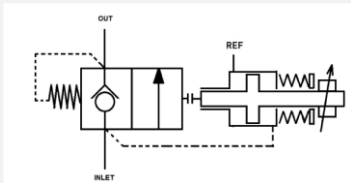
32F to 180F

Operating Mediums

Water-based fluids
Oil-based fluids

Material Construction

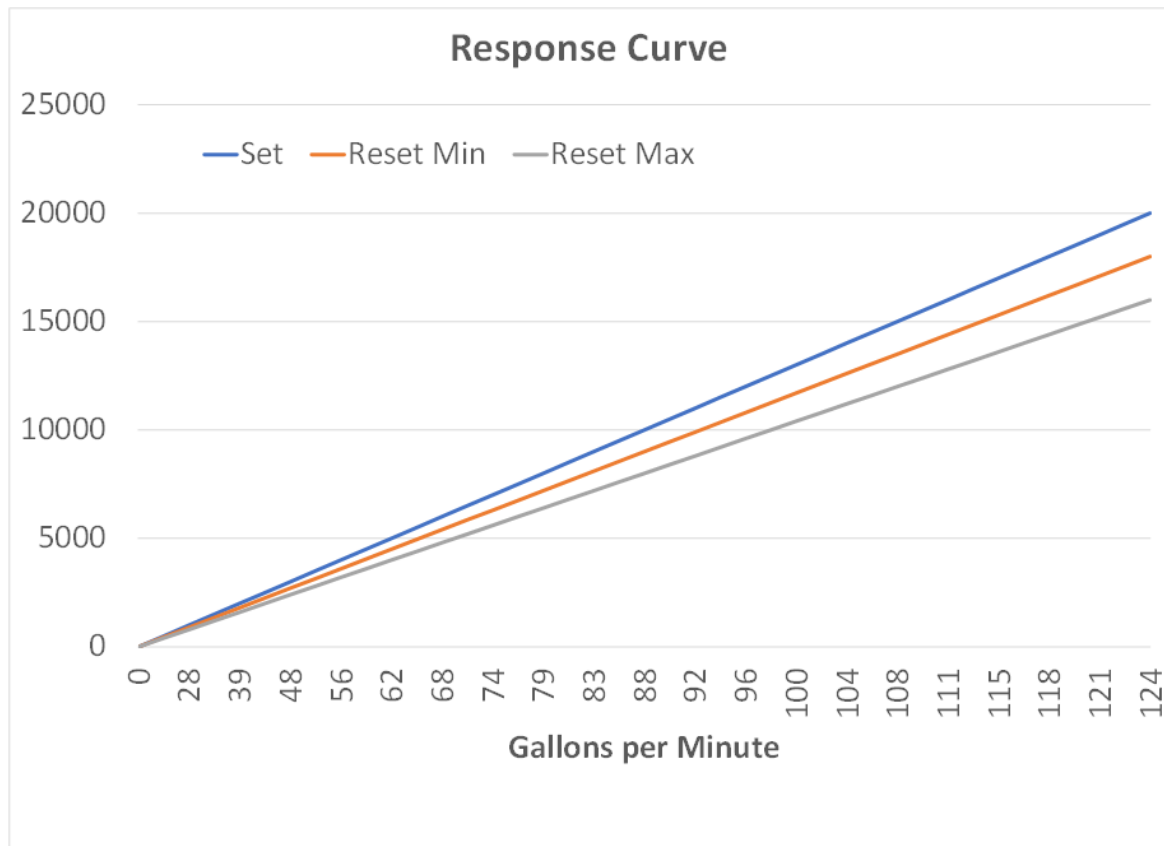
Body 316 SS
Spring 316 SS
Insert N50
Shaft N50
Trigger Rod N50
Spring Bucket 316 SS
Adjuster Screw AL BRZ
Jam Nut 316 SS
Seals PTFE
Main Seal – Delrin



Poseidon Deepwater Solutions

CUSTOM RANGE

TRITON RELIEF VALVES have a single spring pack covering the entire range of the product as a standard. Standard reset is +/- 90% of setpoint. A typical response curve is shown below with a linear and repeatable behaviour. The spring pack can be customized for two variables: Set Range and Reset tolerance. Contact PDS Sales with your needs to have a customized spring pack for your application.



CUSTOM CONNECTIONS

TRITON RELIEF VALVES have been designed with several common connections and configurations based on existing needs. If your application differs from the ones currently offered, we can customize the interface to suite your needs. Contact PDS Sales with your needs to have the body customized for your application.

Warranty
12/18 for Materials,
Craftsmanship, and Defects.
*Full 3-year field warranty
for repairability*

www.poseidondeepwatersolutions.com

Sales@poseidonds.com

Office 281-725-0030

1422 Vanderwilt Ln Ste A - Katy, TX - 77449

R001



Technical Data

Cv 0.88

Qualification

API 16D on NAS 11 water

Temperature Range

32F to 180F

Operating Mediums

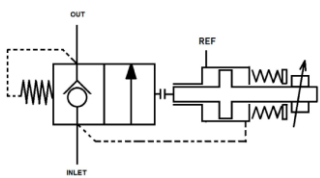
Water-based fluids
Oil-based fluids

Material Construction

Body 316 SS
Spring 316 SS
Insert N50
Shaft N50
Trigger Rod N50
Spring Bucket 316 SS
Adjuster Screw AL BRZ
Seals PTFE
Main Seal – Delrin

Connections

1/4" MP inlet
1/4" MP out
1/4" NPT compensator
1/4" NPT Reference

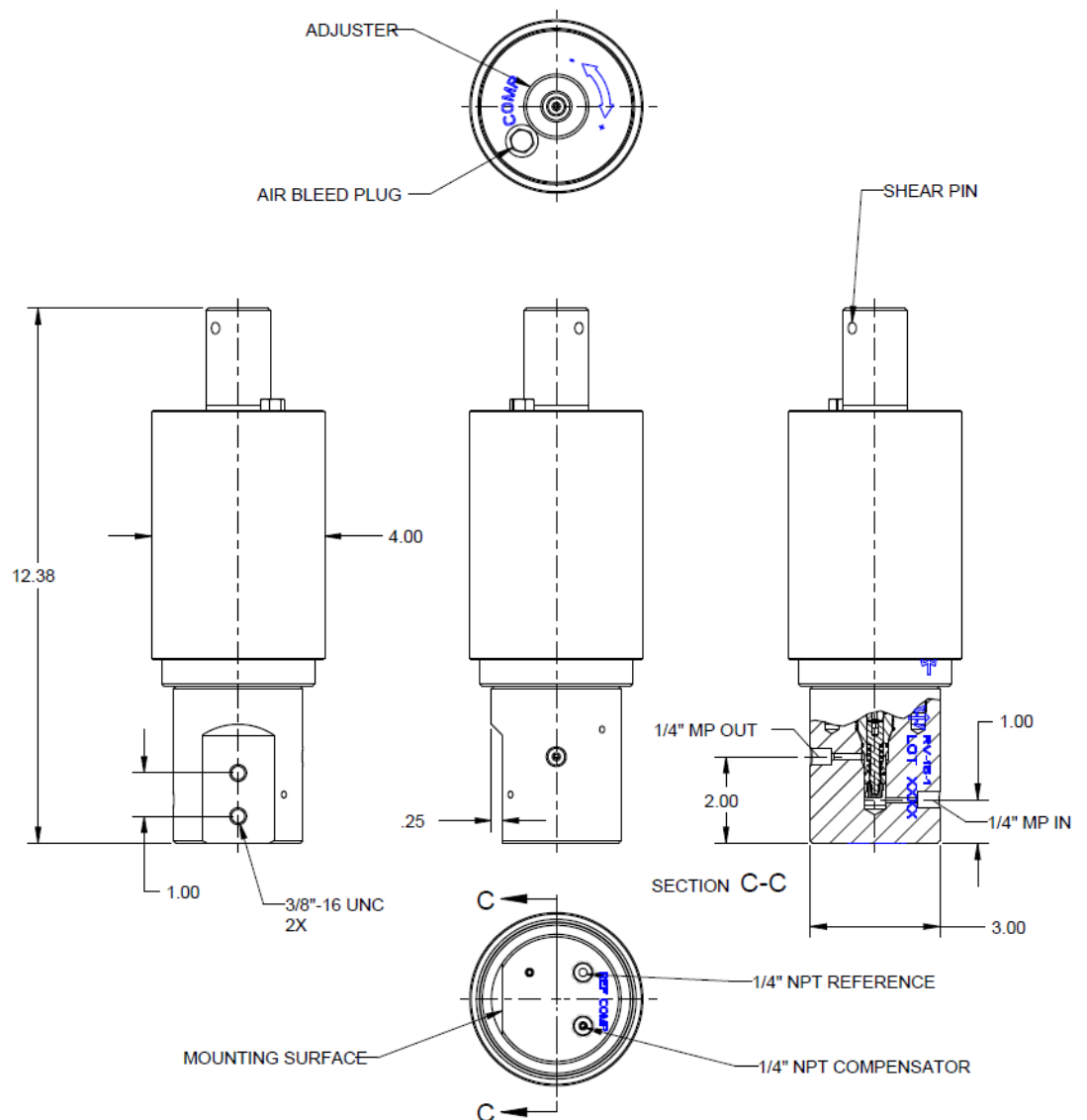


Poseidon Deepwater Solutions

SUBSEA 20,000 PSI

TRITON RELIEF VALVE configured with 1/4" Medium Pressure inlet and outlet ports. A dedicated compensator port allows the spring chamber to be flooded. A reference port is provided for lockout testing at 1.5X MAWP of system, etc.

Adjuster is ROV-capable allowing subsea adjustment of pressure setpoint. A shear pin is utilized to protect against over torque. Consult PDS for application details.



Warranty
12/18 for Materials,
Craftsmanship, and Defects.
Full 3-year field warranty
for repairability



Technical Data

Cv 0.88

Qualification

API 16D on NAS 11 water

Temperature Range

32F to 180F

Operating Mediums

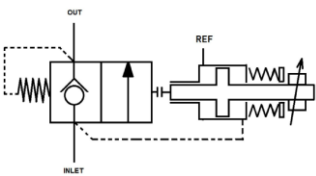
Water-based fluids
Oil-based fluids

Material Construction

Body 316 SS
Spring 316 SS
Insert N50
Shaft N50
Trigger Rod N50
Spring Bucket 316 SS
Adjuster Screw AL BRZ
Seals PTFE
Main Seal – Delrin

Connections

9/16" MP inlet
3/4" NPT out
1/4" NPT Reference

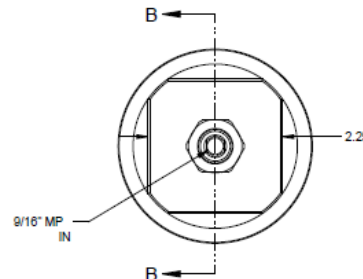
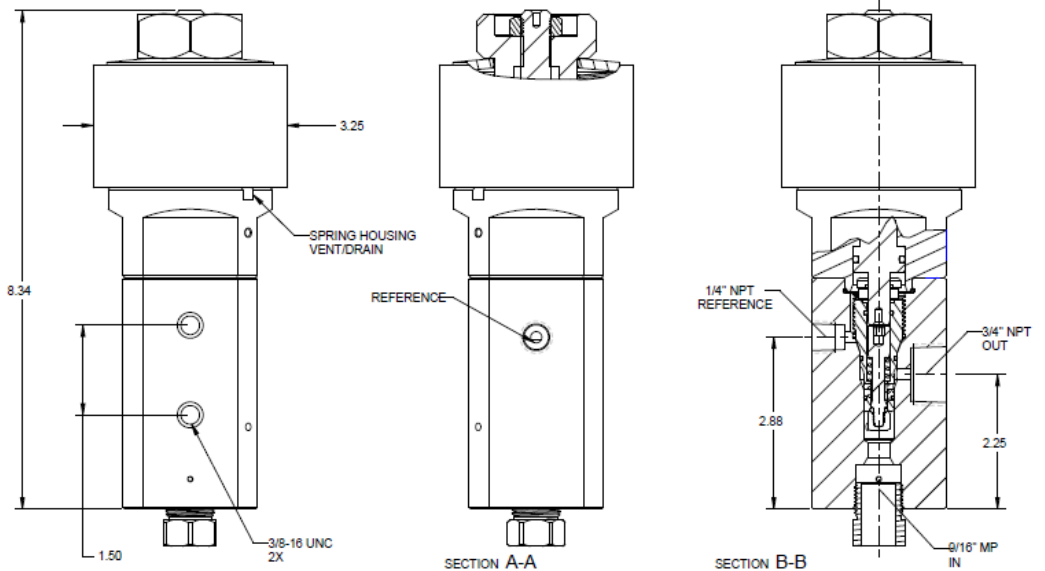
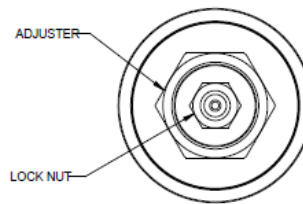


Poseidon Deepwater Solutions

SURFACE 20,000 PSI

TRITON RELIEF VALVE configured with 9/16" Medium Pressure inlet and 3/4" NPT outlet port. A reference port is provided for lockout testing at 1.5X MAWP of system, etc.

Adjuster is manual with a lock nut. The standard spring pack can cover the entire range of setpoints.



Warranty
12/18 for Materials,
Craftsmanship, and Defects.
*Full 3-year field warranty
for repairability*



Technical Data

Cv 0.88

Qualification

API 16D on NAS 11 water

Temperature Range

32F to 180F

Operating Mediums

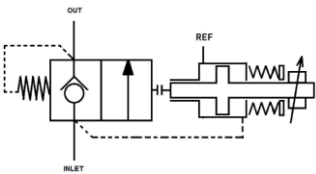
Water-based fluids
Oil-based fluids

Material Construction

Body 316 SS
Spring 316 SS
Insert N50
Shaft N50
Trigger Rod N50
Spring Bucket 316 SS
Adjuster Screw AL BRZ
Seals PTFE
Main Seal – Delrin

Connections

1/4" NPT inlet
1/4" NPT out
1/4" NPT Reference

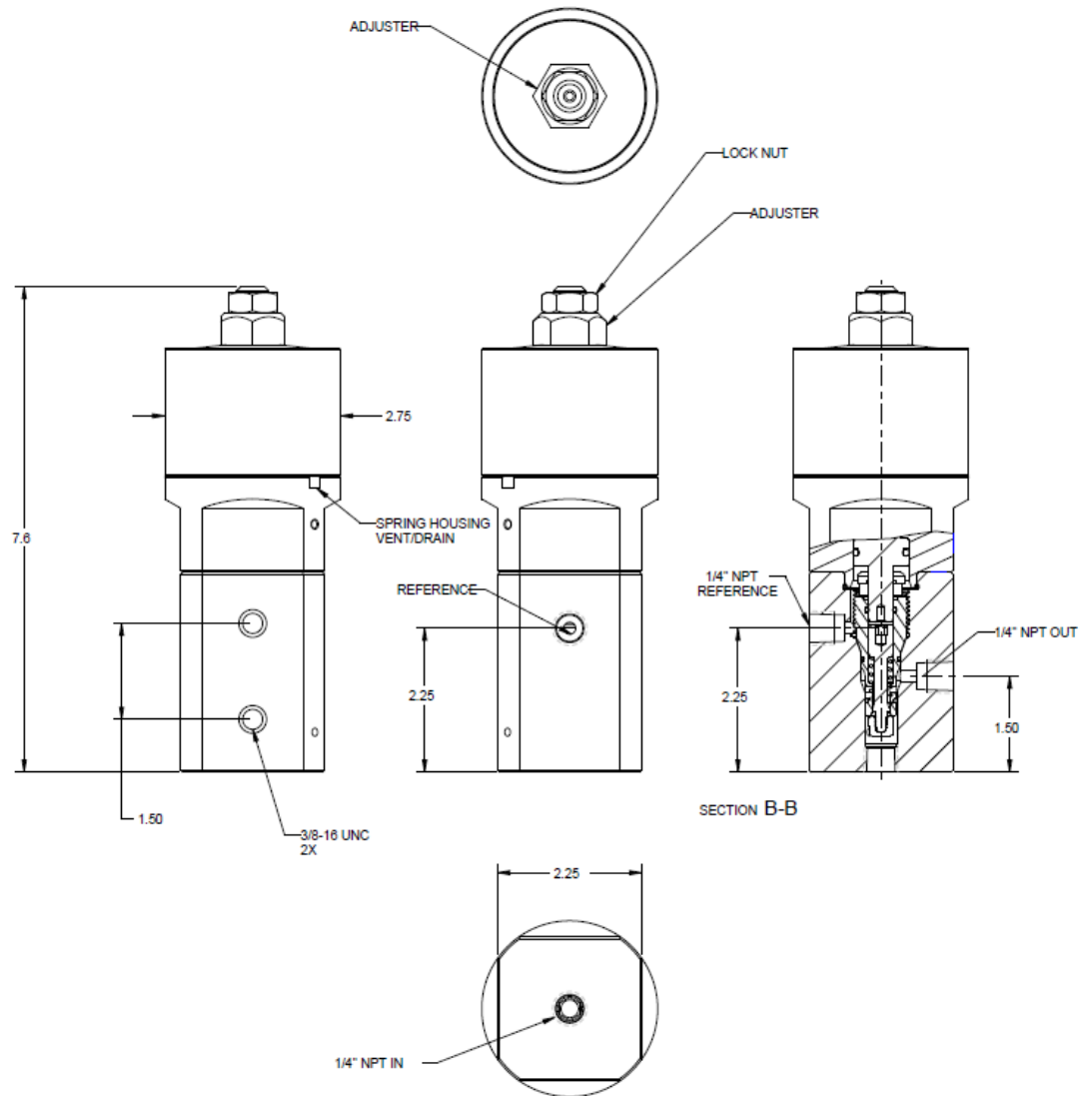


Poseidon Deepwater Solutions

SURFACE 10,000 PSI

TRITON RELIEF VALVE configured with 1/4" NPT inlet and 1/4" NPT outlet ports. A reference port is provided for lockout testing at 1.5X MAWP of system, etc.

Adjuster is manual with a lock nut. The standard spring pack can cover the entire range of setpoints.



Warranty
12/18 for Materials,
Craftsmanship, and Defects.
*Full 3-year field warranty
for repairability*