



# Poseidon Deepwater Solutions

## KRATOS

### 1/4" SERIES ADAPTER

#### Technical Data

20,000 psi rated  
Cracking Pressure  
75 psi  
Cv 0.33

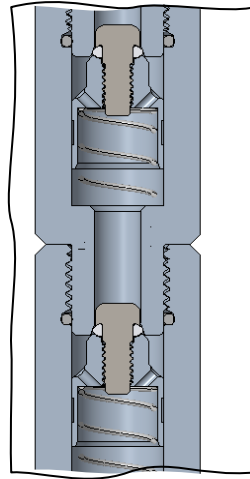
**Temperature Range**  
32F to 180F

**Qualification**  
Qualified to API 16D on  
NAS 11 water

**Operating Mediums**  
Water-based fluids  
Oil-based fluids

**Material Construction**  
Body 316 SS  
Sealing Seat- N50  
Poppet Body – 316 SS  
Poppet Nose – 17-4  
Main Seal – UHMW  
Seals – PTFE

**Connections**  
1/4" MP  
1/4" JIC  
1/4" NPT  
1/4" Swagelok



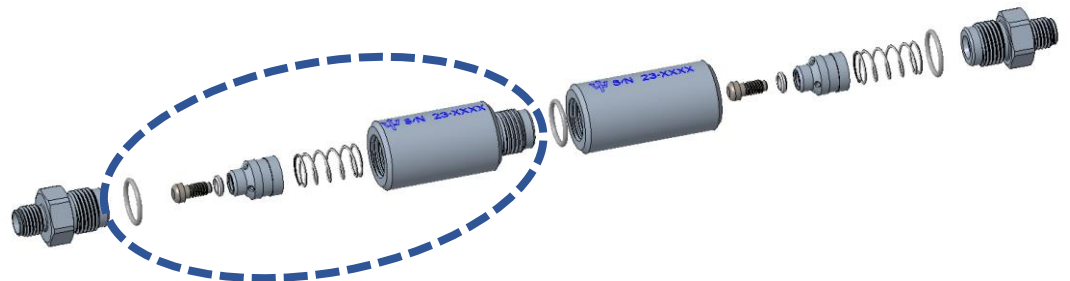
The 20,000 psi rated KRATOS 1/4" check valve is configurable in series. This is possible by utilizing the "stacking feature" exclusive to the KRATOS check valve with the series adapter.

A dual, triple, or any number of checks can be utilized in this arrangement by adding sections.

The series adapter is rated to full working pressure. When adding the series adapter to your check, the MAWP is retained, based on the lowest end adapter rating.

*Repairable – The KRATOS is field repairable with minimal effort. The end caps are symmetrical allowing a fully redundant seal seat during operation.*

*Configurable – The KRATOS is made with end caps on both ends which can have different connections. This allows the check valve to have native connections or be used as an adapter from one connection to the next, which can eliminate adapters, fittings, headaches, etc. (pressure rating based on lowest rating of end adapter)*



**K2-X**

**Warranty**  
12/18 Against Materials,  
Craftsmanship, and Defects.  
*Full 3-year field warranty  
for reparability*



# Poseidon Deepwater Solutions

## KRATOS

### 1/4" CHECK VALVE SERIES CONFIGURATIONS

#### Technical Data

20,000 psi rated  
Cracking Pressure  
75 psi  
Cv 0.33

#### Temperature Range

32F to 180F

#### Qualification

Qualified to API 16D on  
NAS 11 water

#### Operating Mediums

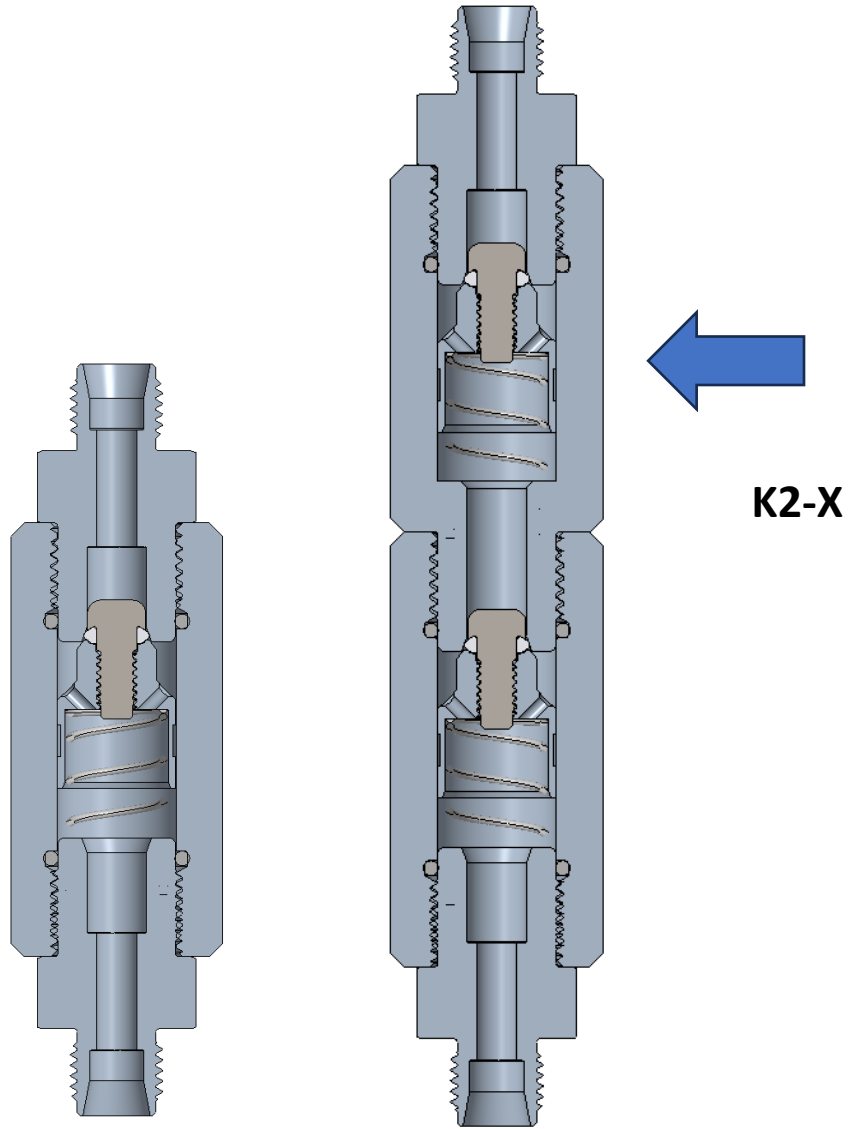
Water-based fluids  
Oil-based fluids

#### Material Construction

Body 316 SS  
Sealing Seat- N50  
Poppet Body – 316 SS  
Poppet Nose – 17-4  
Main Seal – UHMW  
Seals – PTFE

#### Connections

1/4" MP  
1/4" JIC  
1/4" NPT  
1/4" Swagelok



K2-X

**K2-100 : 1/4"**  
**Tubing, 5,000**  
**psi**

**K2-200 : 1/4"**  
**Tubing, 5,000**  
**psi**

**Warranty**  
12/18 Against Materials,  
Craftsmanship, and Defects.  
*Full 3-year field warranty*  
*for reparability*